

MM17 (4HF) Marine Monitor

The Marine Monitor MM17 satisfies the requirements of high quality graphical user interface for vessels and other marine applications. As you would expect it is fully certified by DNV and GL. The MM series is available with antireflex glass or with resistive touch screen in the classical 5:4 display size suitable for marine applications. Multi-video-input, DC or AC power supply and front side data inputs allows flexible usage.

The brilliant display with LED backlight is dimmable down to 0 and fulfills the requirements of EN 60945 for bridge use

SONOVE Services

- ✓ **Customer-specific Front Design**
- ✓ **Customized remote control and specific multi video In functions**
- ✓ **Customized Systems (HW / SW) incl. DNV GL Type Approvals**



Technical Data MM17 (4HF)

17" TFT Display in classical 5:4, resolution 1280 x 1024, brightness: 300 cd, LED Backlight, contrast 1000:1
antireflex glass / resistive touch
IP65 Front, iP40 back

Video In: VGA, DVI, S-Video, Composite

Multi video In functions, e.g. Picture in Picture

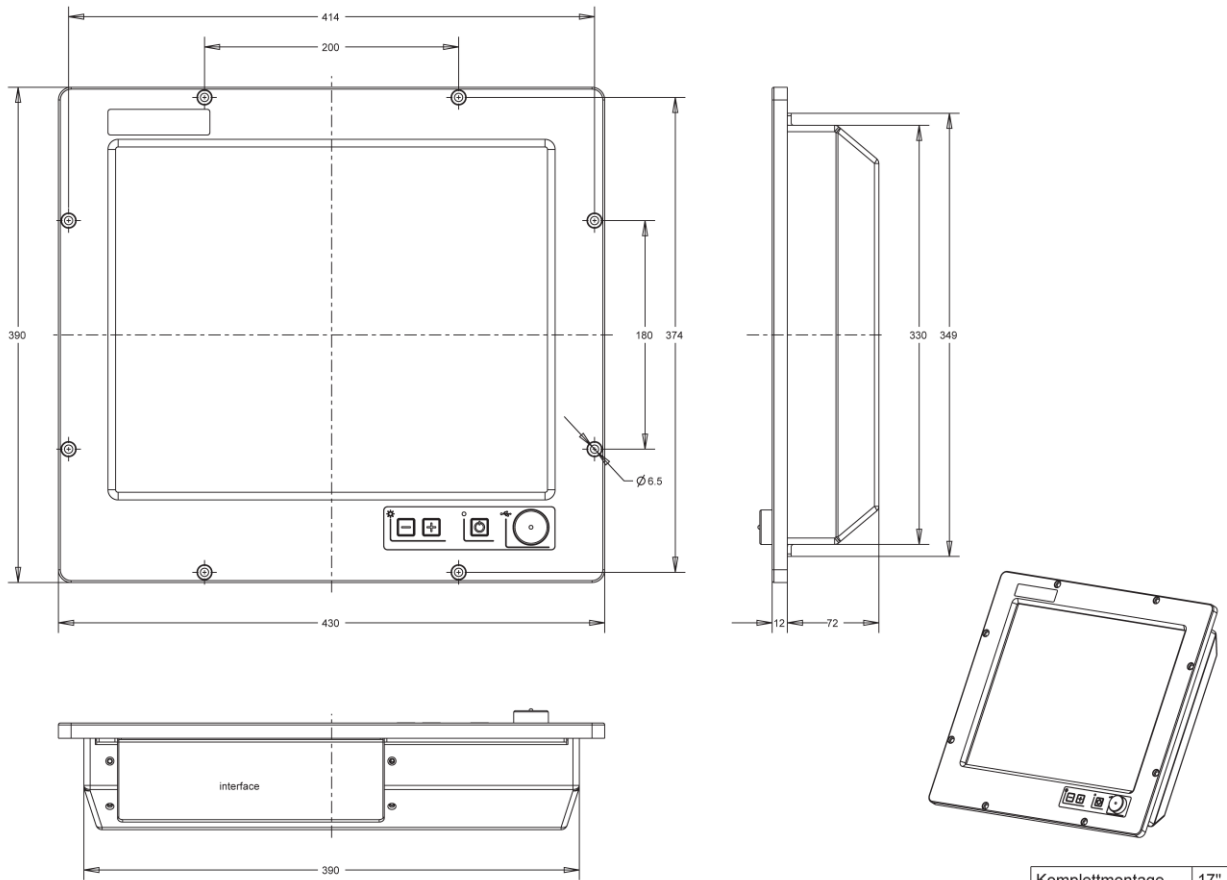
4 USB, 2 available at the front

Power supply:
24 VDC / 230 VAC,

Temp. -15°C to +55°C

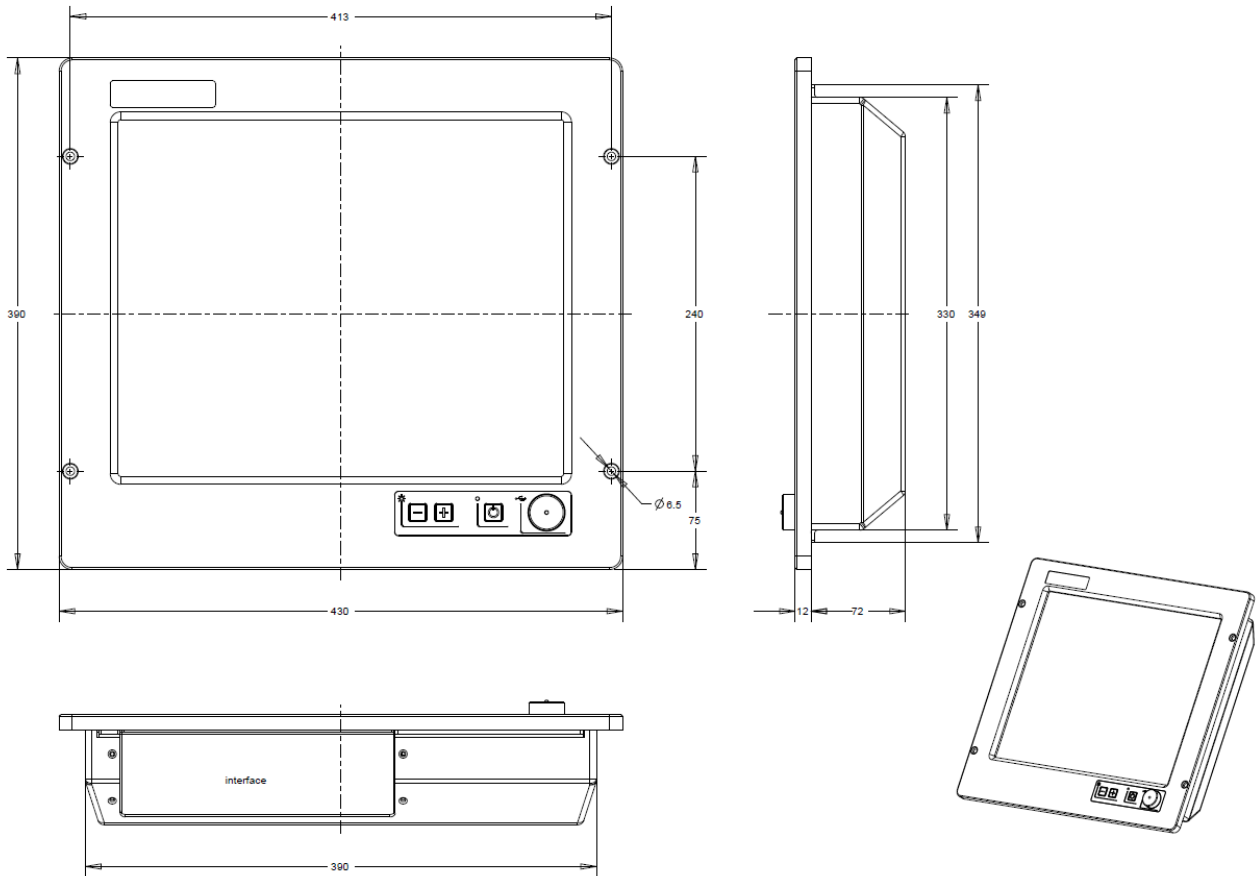
Type Approvals:
DNV GL

Tested acc. to EN 60945



Order information

Marine Monitor 17		
MM17 Glass DC	550.xx2.0000	Marine Monitor MM17, 17" TFT, antireflex glass, without Touch, Power supply 24VDC
MM17 RT DC	555.xx2.0000	Marine Monitor MM17, 17" TFT, resistive Touch, Power supply 24VDC
MM17 Glass AC	550.xx1.0000	Marine Monitor MM17, 17" TFT, antireflex glass, without Touch, Power supply 230VAC
MM17 RT AC	555.xx1.0000	Marine Monitor MM17, 17" TFT, resistive Touch, Power supply 230VAC



Order information

Marine Monitor 17		
MM17 Glass DC 4HF	550.xx2.9000	Marine Monitor MM17, 17" TFT, antireflex glass, without Touch, Power supply 24VDC
MM17 RT DC 4HF	555.xx2.9000	Marine Monitor MM17, 17" TFT, resistive Touch, Power supply 24VDC
MM17 Glass AC 4HF	550.xx1.9000	Marine Monitor MM17, 17" TFT, antireflex glass, without Touch, Power supply 230VAC
MM17 RT AC 4HF	555.xx1.9000	Marine Monitor MM17, 17" TFT, resistive Touch, Power supply 230VAC

Sonove GmbH
 Hindelanger Str. 33
 87527 Sonthofen
 Deutschland
 Tel: +49 8321 67466 200
 Fax +49 8321 67466 199

marine@sonove.com
 www.sonove.com